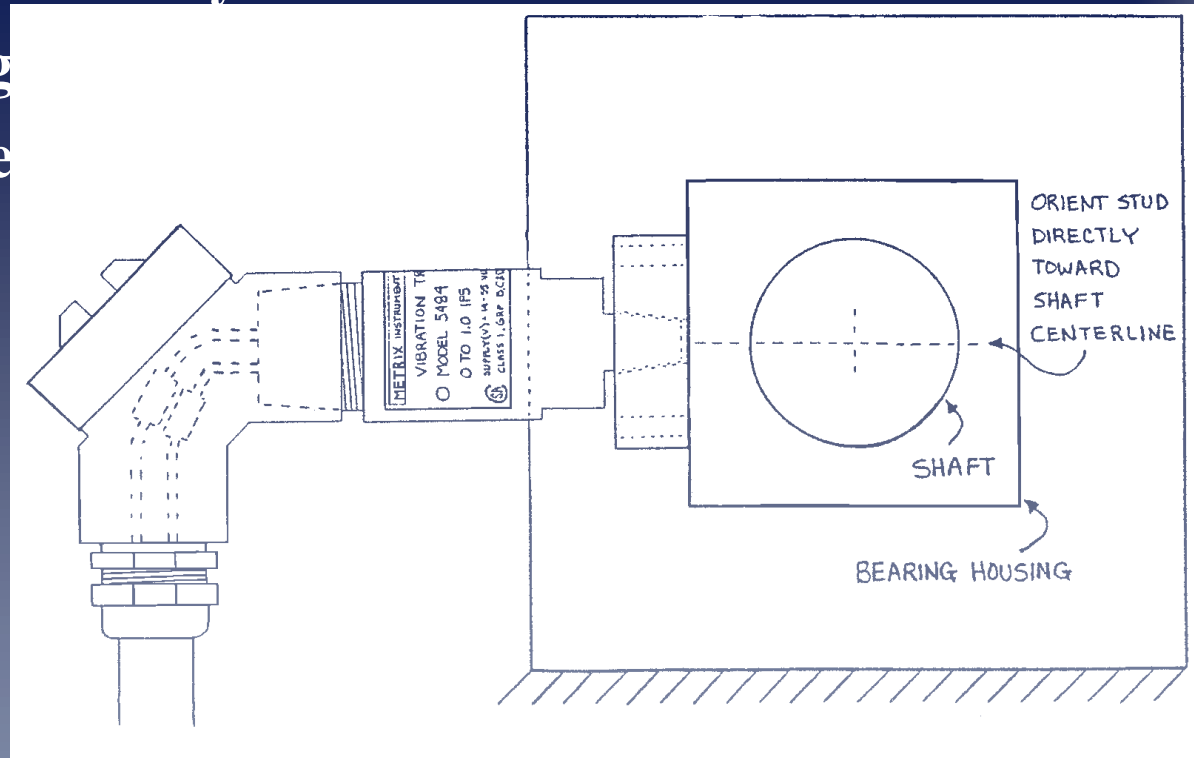


# General Rules on Mounting Seismic Sensors

↪ Mount sensor horizontally

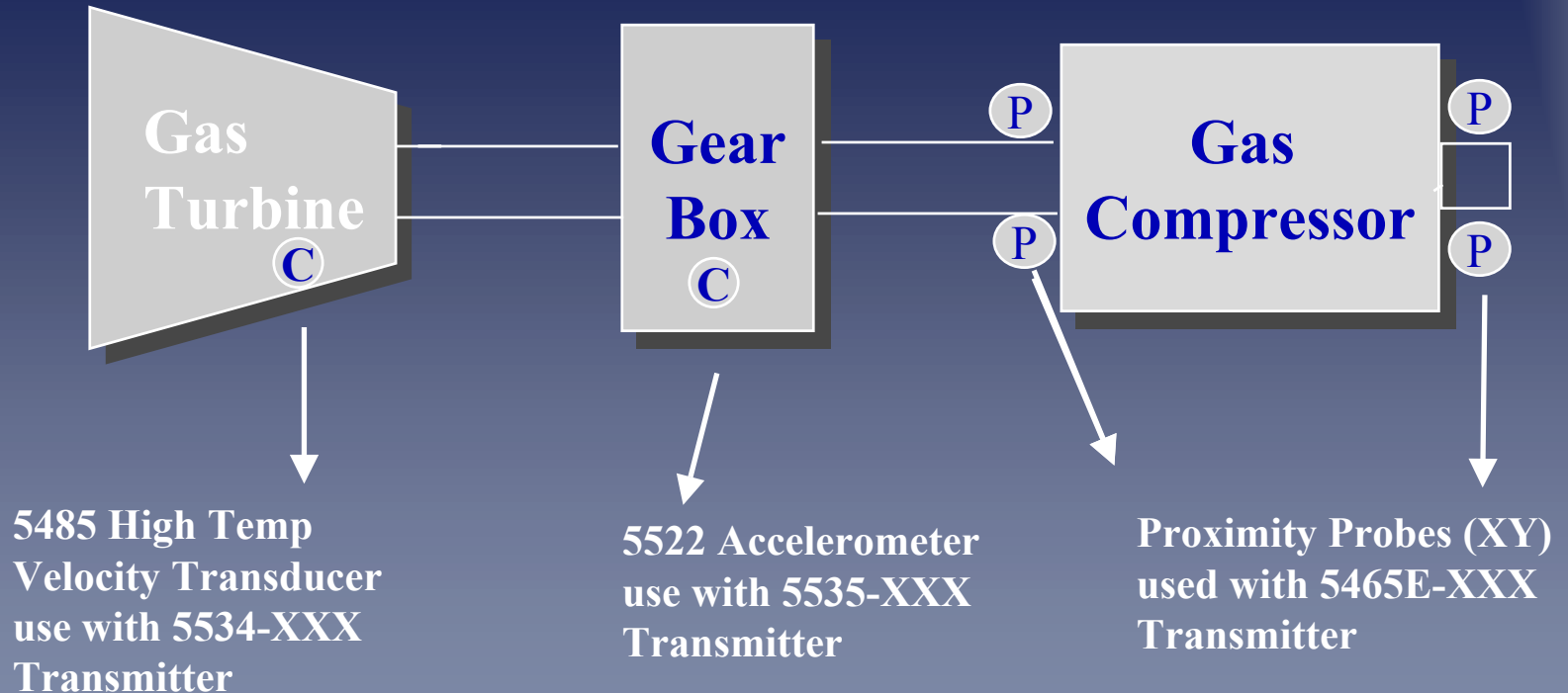
↪ Mount on bearing

↪ Bearing spans over  
one each end

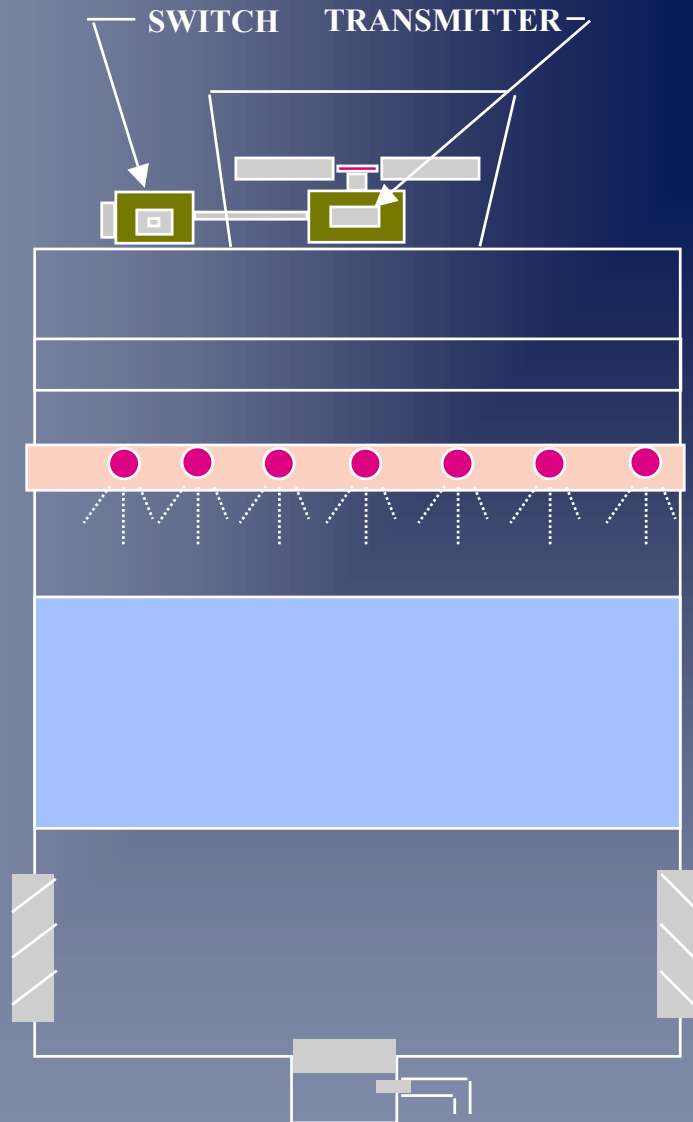


Notes: Most equipment restrained in the vertical direction.  
Mount sensor near problem area (typically bearings).

# TURBINE/ COMPRESSOR



# Cooling Tower

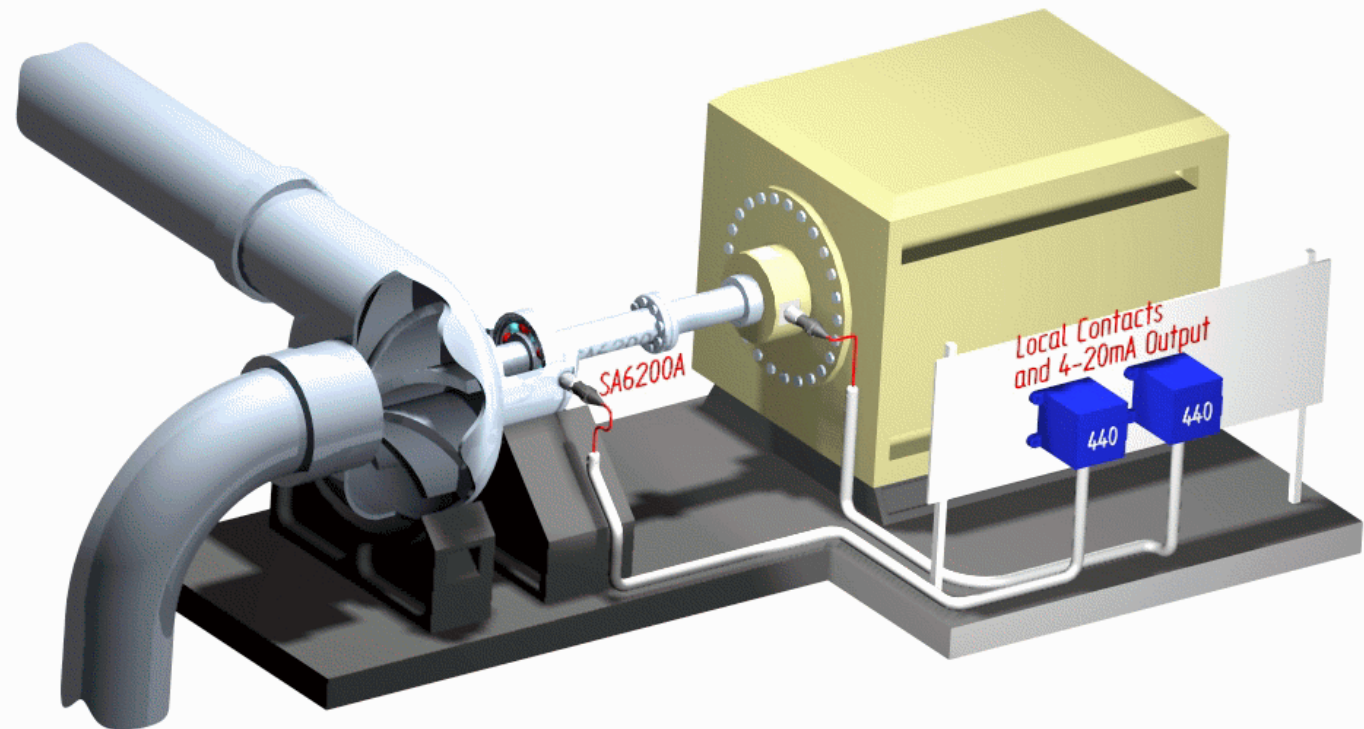


**Note: Ideal sensor placement is on the gearbox. However, due to the corrosive environment switches are usually mounted on the motor.**

**METRIX**

Vibration Monitoring  
and Protection

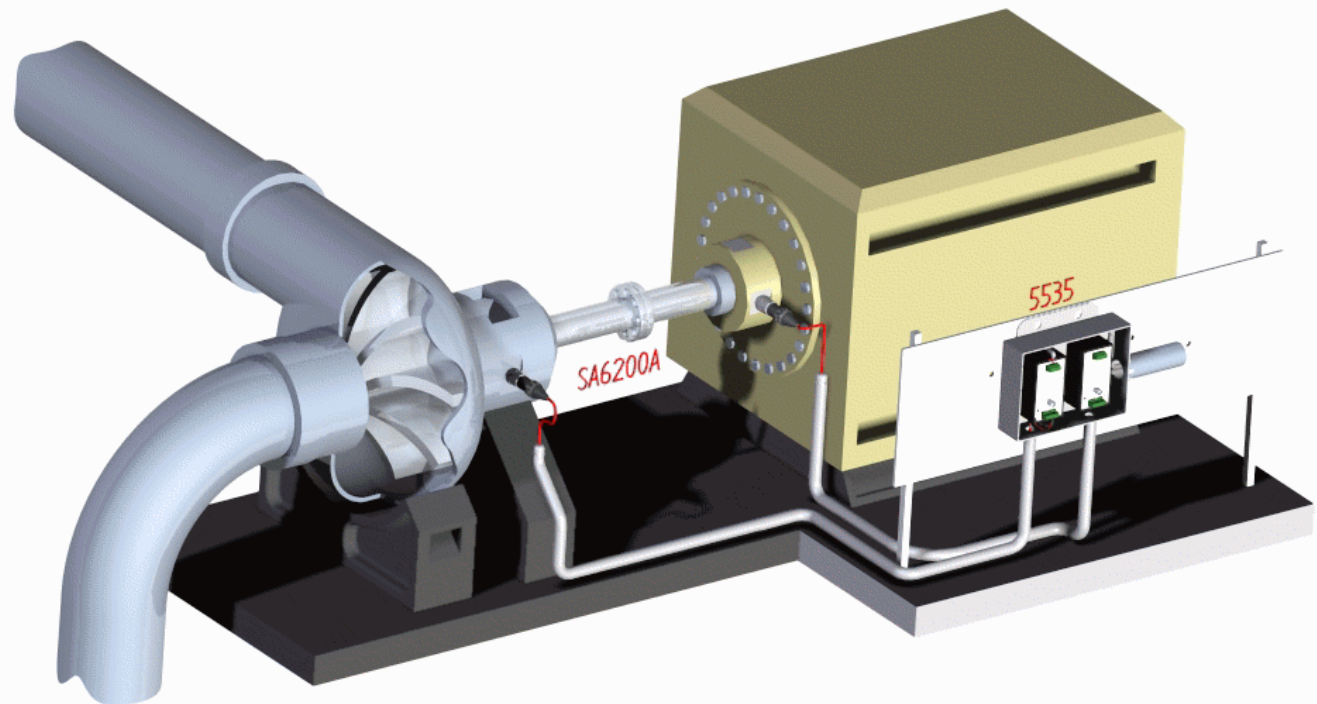
# Pump / Motor Monitoring 4-20mA / Contact Closure



**METRIX**

Vibration Monitoring  
and Protection

# Pump / Motor Monitoring Local Analysis / 4-20mA



**METRIX**

Vibration Monitoring  
and Protection

# Pump / Motor Monitoring 4-20mA Class 1, Div.1

---

